

**VERTICAL LIFTING CLAMP (Lock handle type with Universal shackle)**



Lightweight clamp primarily designed for the vertical lifting of steel plates. The unique design of this clamp also makes it possible for lifting work piece to any directions.

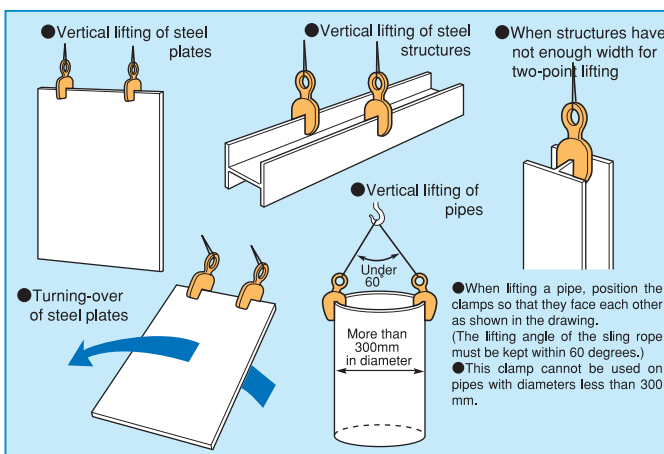
**FEATURES**

- The spring-loaded tightening lock mechanism assures a positive initial clamping force.
- The universal shackle allows the cam to generate a clamping force on the work piece no matter which direction it is pulled.
- The clamping force increases in proportion to the weight of the load.
- The main body and the shackle are made of die-forged special alloy steels, which are optimally tempered for maximum strength and durability.
- High-frequency quenching of die-forged special alloy steels gives greater durability to the cam.
- The main body is a baked-on finish.

**SPECIFICATIONS**

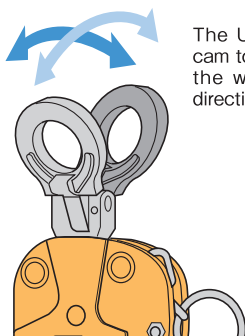
| Item No. | Rated capacity (ton) | Jaw opening (mm) | N.W. (kg) |
|----------|----------------------|------------------|-----------|
| SVC 0.3E | 0.3                  | 0~16             | 1.6       |
| SVC 0.5E | 0.5                  | 0~19             | 2.1       |
| SVC 1E   | 1                    | 0~25             | 3.7       |
| SVC 1.5E | 1.5                  | 0~28             | 5.5       |
| SVC 2E   | 2                    | 0~32             | 7.0       |

**EXAMPLES OF USE**

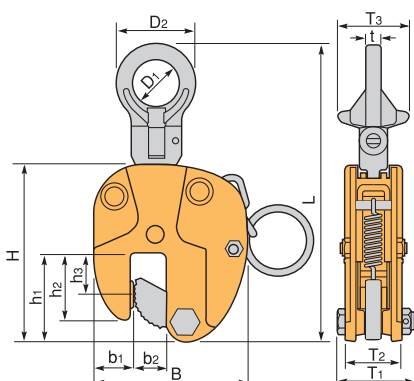


⚠ Always lift work pieces at 2 or more points for safety.

**UNIVERSAL TYPE SHACKLE**



The Universal shackle allows the cam to generate a clamping force on the work piece no matter which direction it is pulled.



**DIMENSIONS TABLE**

| Item No. | L       | H   | h1 | h2 | h3 | B   | b1 | b2 | D1 | D2 | T1 | T2 | T3 | t  |
|----------|---------|-----|----|----|----|-----|----|----|----|----|----|----|----|----|
| SVC 0.3E | 157~176 | 110 | 57 | 48 | 30 | 100 | 25 | 19 | 26 | 45 | 49 | 36 | 39 | 8  |
| SVC 0.5E | 180~204 | 125 | 67 | 53 | 34 | 110 | 28 | 22 | 30 | 52 | 55 | 40 | 45 | 10 |
| SVC 1E   | 223~257 | 160 | 80 | 60 | 38 | 130 | 35 | 29 | 35 | 60 | 65 | 48 | 53 | 12 |
| SVC 1.5E | 254~290 | 174 | 88 | 67 | 42 | 150 | 39 | 33 | 45 | 76 | 74 | 55 | 67 | 14 |
| SVC 2E   | 292~335 | 194 | 97 | 73 | 45 | 162 | 43 | 37 | 55 | 94 | 76 | 58 | 83 | 16 |